

EXHIBIT A

(12) **United States Design Patent** (10) **Patent No.:** **US D709,668 S**
Martz (45) **Date of Patent:** **** Jul. 29, 2014**

(54) **BRA**
 (75) Inventor: **Natalie Anne Martz**, Vancouver (CA)
 (73) Assignee: **Lululemon Athletica Canada Inc.**,
 Vancouver (CA)
 (**) Term: **14 Years**
 (21) Appl. No.: **29/417,022**
 (22) Filed: **Mar. 29, 2012**

(51) **LOC (10) Cl.** **02-01**
 (52) **U.S. Cl.**
 USPC **D2/708**
 (58) **Field of Classification Search**
 CPC A41C 3/0057; A41C 3/0014
 USPC D2/700, 701, 702, 703, 704, 705, 706,
 D2/707, 708, 709, 710, 731, 737, 793, 829,
 D2/841; 2/67, 69, 104, 109; 450/1, 2, 34,
 450/86
 See application file for complete search history.

(56) **References Cited**
U.S. PATENT DOCUMENTS
 D635,329 S * 4/2011 Wahl et al. D2/706
 2009/0270013 A1 * 10/2009 Clair et al. 450/30
 2014/0031775 A1 * 1/2014 Criss 604/355

* cited by examiner

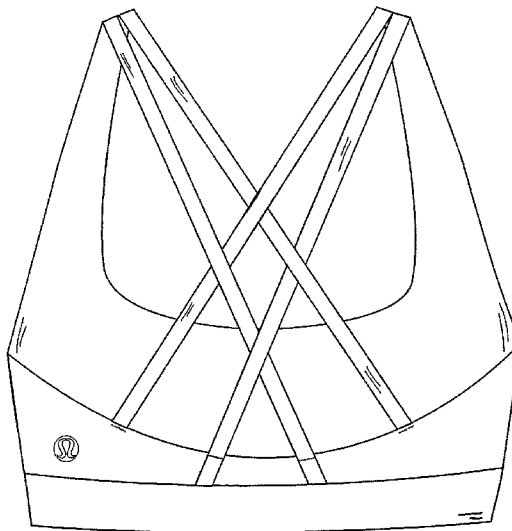
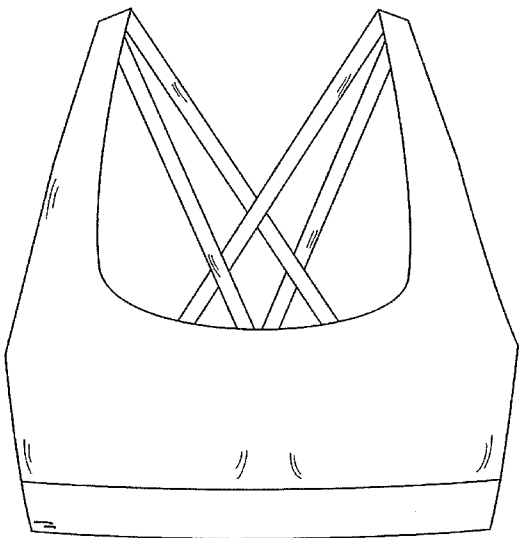
Primary Examiner — Karen E Eldridge Powers
 (74) *Attorney, Agent, or Firm* — McCarthy Tetrault LLP

(57) **CLAIM**
 The ornamental design for a bra, as shown and described.

DESCRIPTION

FIG. 1 is a front view of a bra according to a first embodiment of the design;
 FIG. 2 is a rear view thereof;
 FIG. 3 is a right side view thereof;
 FIG. 4 is a left side view thereof;
 FIG. 5 is a top view thereof;
 FIG. 6 is a front perspective view thereof;
 FIG. 7 is a rear view of a bra according to a second embodiment of the design, the front, left side, top, and front perspective views being the same as FIGS. 1 and 4-6, respectively; and,
 FIG. 8 is a right side view thereof.
 The symbol depicted in FIGS. 7-8 forming part of the claimed design is a registered trademark of Lululemon Athletica Canada Inc.

1 Claim, 8 Drawing Sheets



U.S. Patent

Jul. 29, 2014

Sheet 1 of 8

US D709,668 S

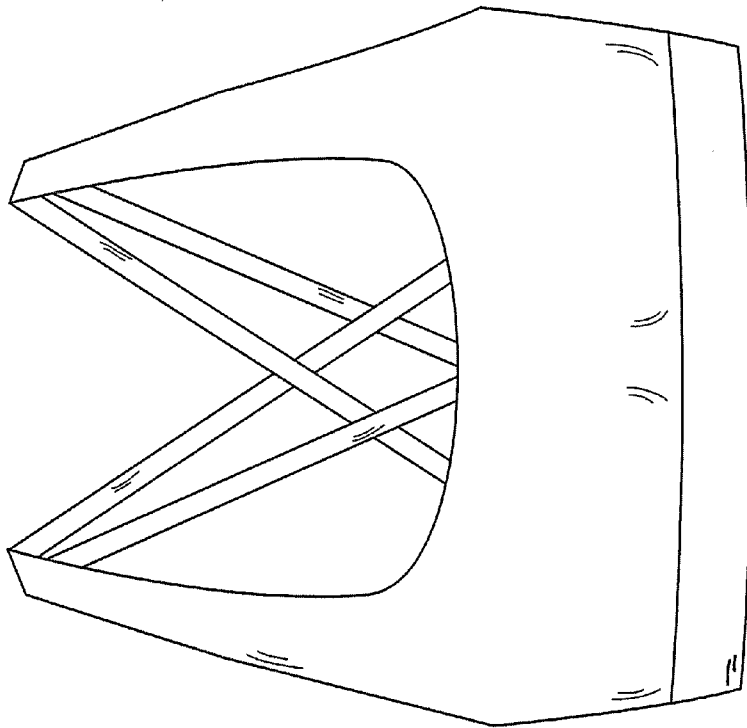


Fig. 1

U.S. Patent

Jul. 29, 2014

Sheet 2 of 8

US D709,668 S

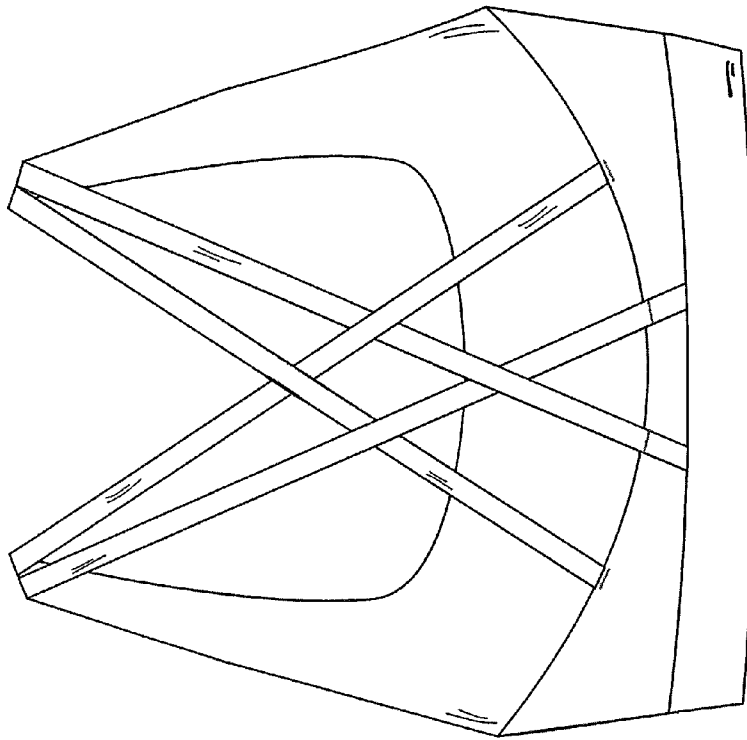


Fig. 2

U.S. Patent

Jul. 29, 2014

Sheet 3 of 8

US D709,668 S

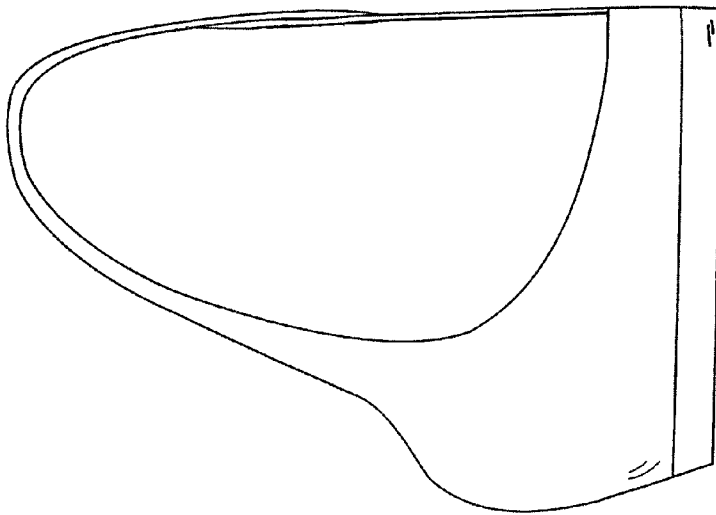


Fig. 3

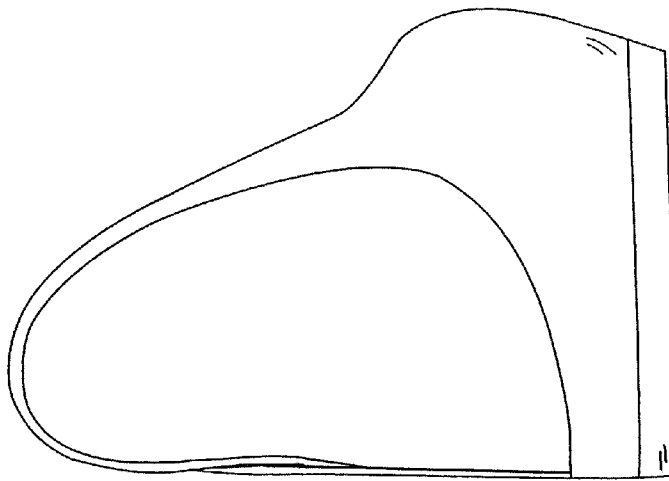
U.S. Patent

Jul. 29, 2014

Sheet 4 of 8

US D709,668 S

Fig. 4



U.S. Patent

Jul. 29, 2014

Sheet 5 of 8

US D709,668 S

Fig. 5

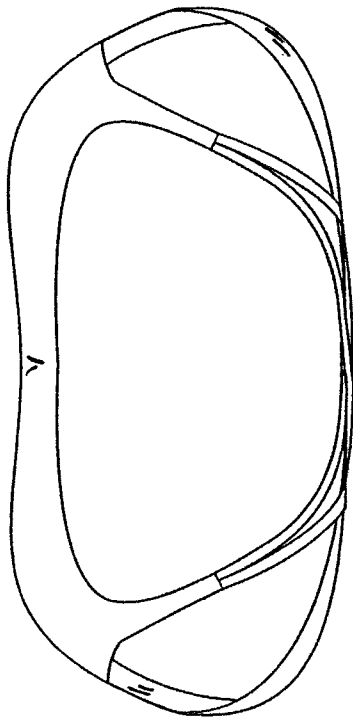
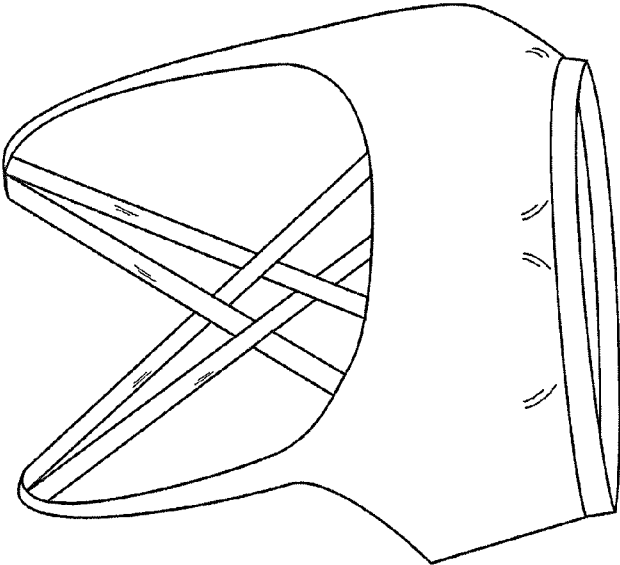


Fig. 6



U.S. Patent

Jul. 29, 2014

Sheet 7 of 8

US D709,668 S

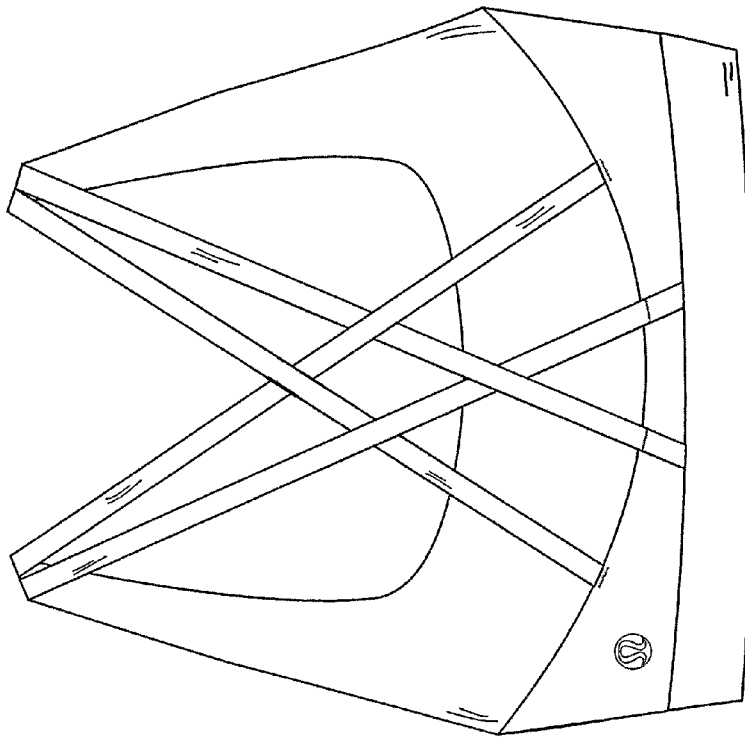


Fig. 7

U.S. Patent

Jul. 29, 2014

Sheet 8 of 8

US D709,668 S

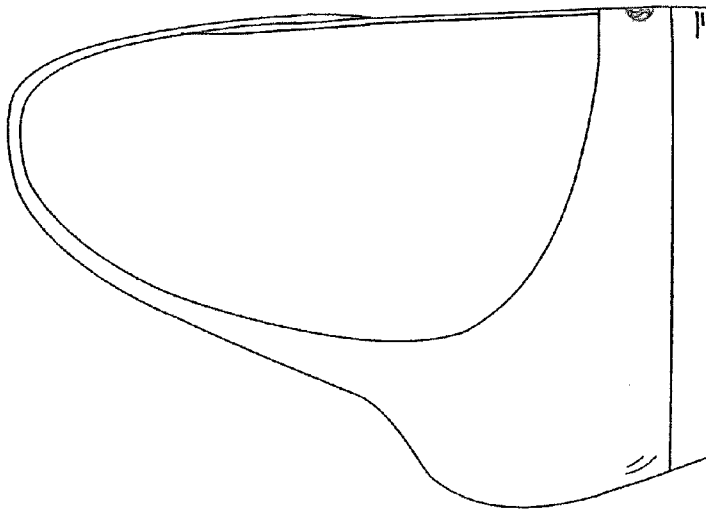


Fig. 8